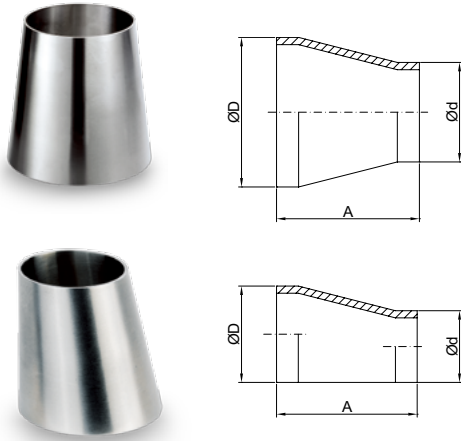


焊接式大小头
Welded Reducer



ISO/IDF

No.KST-P009

Size	A	D	d
1.0"-0.75"	38	25.4	19.05
1.25"-1.0"	50	31.8	25.4
1.5"-1.0"	50	38.1	25.4
1.5"-1.25"	50	38.1	31.8
2.0"-1.0"	67	50.8	25.4
2.0"-1.25"	67	50.8	31.8
2.0"-1.5"	67	50.8	38.1
2.5"-1.0"	67	63.5	25.4
2.5"-1.5"	67	63.5	38.1
2.5"-2.0"	67	63.5	50.8
3.0"-1.5"	67	76.2	38.1
3.0"-2.0"	67	76.2	50.8
3.0"-2.5"	67	76.2	63.5
3.5"-2.0"	67	88.9	50.8
3.5"-2.5"	67	88.9	63.5
3.5"-3.0"	67	88.9	76.2
4.0"-2.0"	101.6	101.6	50.8
4.0"-2.5"	101.6	101.6	63.5
4.0"-3.0"	101.6	101.6	76.2
4.0"-3.5"	101.6	101.6	88.9

卡箍式大小头
Clamped Reducer



ISO/IDF

No.KST-P010

Size	A	B	Ba
1.0"-0.75"	80	50.5	34
1.25"-1.0"	92	50.5	50.5
1.5"-1.0"	92	50.5	50.5
1.5"-1.25"	92	50.5	50.5
2.0"-1.0"	109	64	50.5
2.0"-1.25"	109	64	50.5
2.0"-1.5"	109	64	50.5
2.5"-1.0"	109	77.5	50.5
2.5"-1.5"	109	77.5	50.5
2.5"-2.0"	109	77.5	64
3.0"-1.5"	109	91	50.5
3.0"-2.0"	109	91	64
3.0"-2.5"	109	91	77.5
3.5"-2.0"	109	106	64
3.5"-2.5"	109	106	77.5
3.5"-3.0"	109	106	91
4.0"-2.0"	143.6	119	64
4.0"-2.5"	143.6	119	77.5
4.0"-3.0"	143.6	119	91
4.0"-3.5"	143.6	119	106